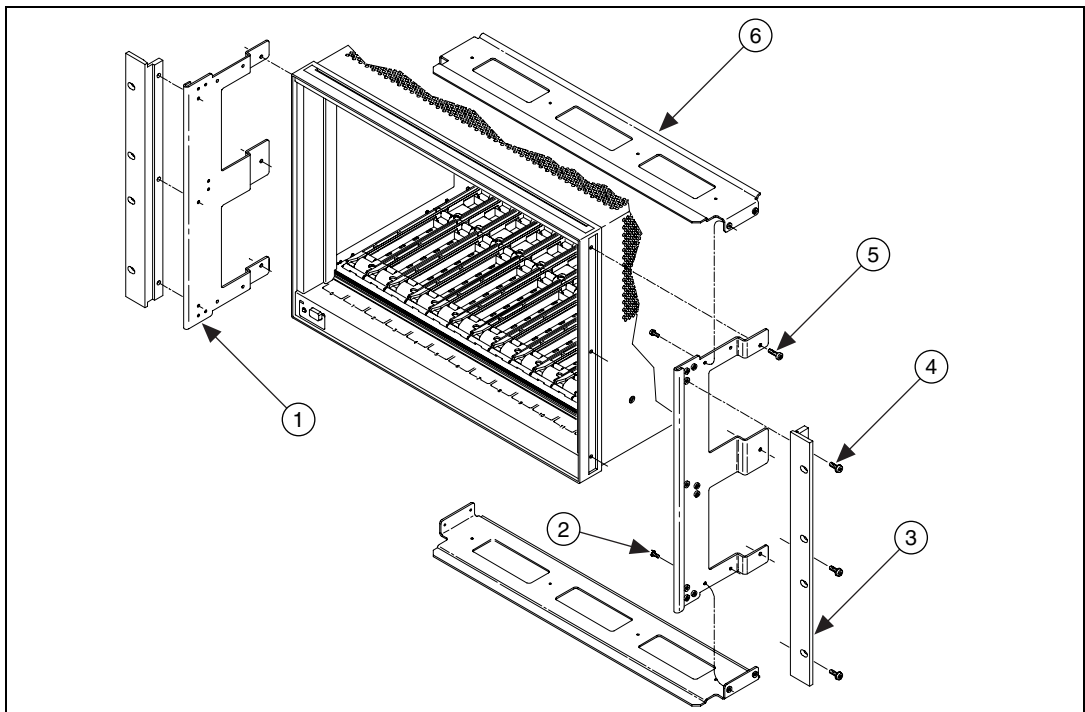


## VXI-1501 RECESS RACK MOUNT KIT

This kit includes recess flanges and top and bottom filler panels for mounting the VXI-1501 in a rack, with the front of the VXI-1501 recessed from the front of the rack. The rack mount flanges are included with the National Instruments Basic Rack Mount Kit or can be purchased separately as the Flange-Only Kit.

### Installing the Flanges and Filler Panels



- |   |   |   |  |
|---|---|---|--|
| 1 | Recess Flange   | 4 | Screw (Supplied with Rack Mount Flanges, Three Places Each Side) |
| 2 | Screw, M3x8L (Two Places Top and Bottom on Each Side) | 5 | Screw, M4x10L (Three Places Each Side)                           |
| 3 | Rack Mount Flange (Purchased Separately)              | 6 | Filler Panel   |

National Instruments™, NI™, and ni.com™ are trademarks of National Instruments Corporation. Product and company names mentioned herein are trademarks or trade names of their respective companies.

Follow these steps to install the flanges and filler panels:

1. Remove the side trim strips from the VXI-1501.
2. Attach the left and right recess flanges to the mainframe using three M4x10L screws (included with this kit) per side.
3. Attach the rack mount flanges to the recess flanges as shown.
4. Attach the top and/or bottom filler panels if desired. Filler panels add rigidity and may be beneficial if the mainframe is installed on rails. The filler panels are attached with M3x8L flathead screws (included with this kit), four per panel.



**Caution** Do *not* rack mount the mainframe using only the rack mount flanges. The mainframe should be supported by either rack support rails (such as those included with the National Instruments Basic Rack Mount Kit) or a cabinet shelf.



322832B-01

Jul01